

## Features

- Premium CREE XM-L2 (T6) LED
- Maximum output of 800 lumens
- Crystal Coating Technology combined with "Precision Digital Optics Technology" for extreme reflector performance
- Boasts a peak beam intensity of 9,300cd and a throw distance of up to 193 meters
- Highly efficient circuit offers up to 26 hours of use on low
- Dual-switch tail cap designed for tactical use and easy application
- **STROBE READY**™ button for quick access to Strobe Mode (Patented)
- Three selectable modes brings flexibility in operation
- Integrated LEDs on tail switch to indicate remaining battery power (patented)
- Anti-rolling design to provide a firm grip
- Titanium steel clip included
- Toughened ultra-clear mineral glass with anti-scratch coating
- Constructed from aero grade aluminum alloy with HAIII military grade hard-anodized finish
- Waterproof in accordance with IPX-8 (two meters submersible)
- Impact resistant to 1.5 meters

## Dimensions

Length: 134mm (5.28")  
 Head Diameter: 25.4mm (1")  
 Tail Diameter: 25.4mm (1")  
 Weight: 82grams (2.89oz)(without battery)

## Accessories

**Included:** quality holster, CR123 battery magazine, clip, tactical ring, lanyard, spare O-ring  
**Optional:** remote switch RSW2, tactical lanyard NTL10/NTL20

## Battery Options

	SIZE	Nominal voltage	Compatible
Primary Lithium battery	CR123	3V	Y (Recommended)
18650 Rechargeable Li-ion battery	18650	3.7V	Y (Recommended)
Rechargeable Li-ion battery	RCR123	3.7V	Y

## Brightness & Runtime

FL1 STANDARD	HIGH	MID	LOW
1x18650	800 LUMENS	290 LUMENS	40 LUMENS
	4h30min	9h	26h
2xCR123	800 LUMENS	400 LUMENS	70 LUMENS
	1h30min	2h30min	10h30min
	193m (Beam Distance)		
	9300cd (Peak Beam Intensity)		
	1.5m (Impact Resistant)		
	IPX-8, 2m (Waterproof AND Submersible)		

### NOTE

The above data has been measured in accordance with the international flashlight testing standards ANSI/NEMAFL1 using 1 x 3.7V 2600mAh Nitecore 18650 battery and 2 x 3V 1550mAh Nitecore CR123 batteries under laboratory conditions. The data may vary slightly during real-world use due to battery type, individual usage habits and environmental factors.

NITECORE (SYSMAX) is a member of PLATO, participating in and helping to develop the ANSI FL1 standard of measurement. Product testing data is in accordance with these internationally recognized scientific standards.

## Operation instructions

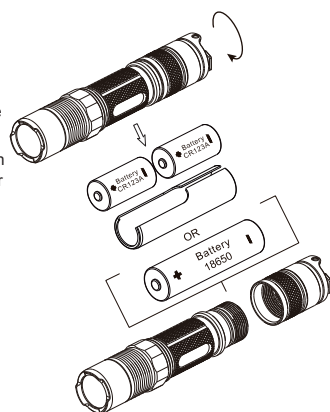
### Battery installation

Install one 18650 Li-ion battery or two CR123 Li-ion batteries with the positive pole pointing forward (toward the bezel).

**NOTE:** Integrated LEDs within the tail switch will blink to indicate remaining battery power after battery installation. Please refer to Power Tips for more information.

### WARNING

1. Install the batteries as instructed. Incorrect battery installation can cause unsuccessful activation.
2. NBM1618 battery magazine holds 2 x CR123 Li-ion batteries, inhibits battery movement inside the tube and helps maintain electrical continuity.
- 3 This product CANNOT be powered by flat-top batteries.
4. AVOID direct eye exposure.



## Tactical Momentary Illumination

Simply half press and hold the tail switch to turn on the flashlight, and release to turn it off.

## Switching ON/OFF

To switch ON: Press the tail button until a "click" is heard.

To switch OFF: with the light on, press the tail button again until a "click" is heard.

## Mode Selection

The P10 offers three different modes of illumination for different users and situations.

**Tactical Mode:** this mode only provides turbo output, and is ideal for self-defense, emergencies and tactical operations.

**Law Enforcement Mode:** this mode provides two brightness levels: medium and turbo. Turbo is the default state. This mode is designed for law enforcement officers and patrol guards.

**General Mode** (default mode for first time use): this mode provides three brightness levels: low, medium and turbo. With the light on, press the **STROBE READY**™ button on the tail to cycle through all three brightness levels. General mode provides an intelligent memory function to ensure direct access to the current setting when reactivated.

**NOTE:** When in medium and turbo mode, the P10 will reduce output luminance automatically after 3 minutes of use to prevent battery overheating and extend battery longevity.

### To select a desired mode:

1. Ensure the P10 is switched off.
2. Loosen the bezel.
3. Press and hold the **STROBE READY**™ button on the tailcap while simultaneously tightening the bezel.
4. Once the bezel has been tightened, the P10 will indicate a mode has been selected by flashing once for Tactical Mode, twice for Law Enforcement Mode or three times for General Mode.
5. To cycle through all three modes, simply repeat the above procedures.

## Strobe Ready

1. With batteries loaded and the light off, press and hold **STROBE READY**™ button on the tailcap to enter Strobe mode, release to exit.
2. With the light on in Tactical Mode, press **STROBE READY**™ button on the tailcap to enter Strobe mode. To exit, simply press **STROBE READY**™ button again or switch the light off.
3. With the light on in Law Enforcement Mode or General Mode, press and hold **STROBE READY**™ button on the tailcap for more than 0.5 second to enter strobe mode. To exit, simply press **STROBE READY**™ button again.
4. General mode provides an intelligent memory function to ensure direct access to the current Strobe mode when reactivated.

## Power Tips

Two integrated red LEDs built into the tail switch blink to indicate remaining battery power when the tail cap is tightened after battery installation. The power indicators will blink three times when power levels are above 50%; twice when power levels are below 50%; and once when battery power is close to depletion.

**NOTE:** When batteries are already installed and a precise power reading is required, ensure the P10 is powered down for 20 seconds before retightening the tail cap to detect battery power status.

## Changing Batteries

Batteries should be replaced when any of the following occurs: The power indicators blink rapidly, output appears to be dim or the flashlight becomes unresponsive.

## Maintenance

Every 6 months, threads should be wiped with a clean cloth followed by a thin coating of silicon-based lubricant.

## Warranty Service

All NITECORE® products are warranted for quality. DOA / defective products can be exchanged for replacement through a local distributor/dealer within 15 days of purchase. After 15 days, all defective / malfunctioning NITECORE® products will be repaired free of charge for a period of 60 months (5 years) from the date of purchase. Beyond 60 months (5 years), a limited warranty applies, covering the cost of labor and maintenance, but not the cost of accessories or replacement parts. The warranty is nullified in all of the following situations:

1. The product(s) is/are broken down, reconstructed and/or modified by unauthorized parties.
2. The product(s) is/are damaged through improper use.
3. The product(s) is/are damaged by leakage of batteries.

For the latest information on NITECORE® products and services, please contact your national NITECORE® distributor or send an email to [service@nitecore.com](mailto:service@nitecore.com)

The Nitecore official website shall prevail in case of any product data changes.

**SYSMAX ind.**  
 SYSMAX Industry Co., Ltd.  
 TEL: +86-20-83862000  
 FAX: +86-20-83882723  
 E-mail: [info@nitecore.com](mailto:info@nitecore.com)  
 Web: [www.nitecore.com](http://www.nitecore.com)  
 Address: Rm1401, Glorious Tower, 850 East Dongfeng Road, Guangzhou, China 510600

Please follow our facebook for more info: NITECORE Flashlights!



20140626